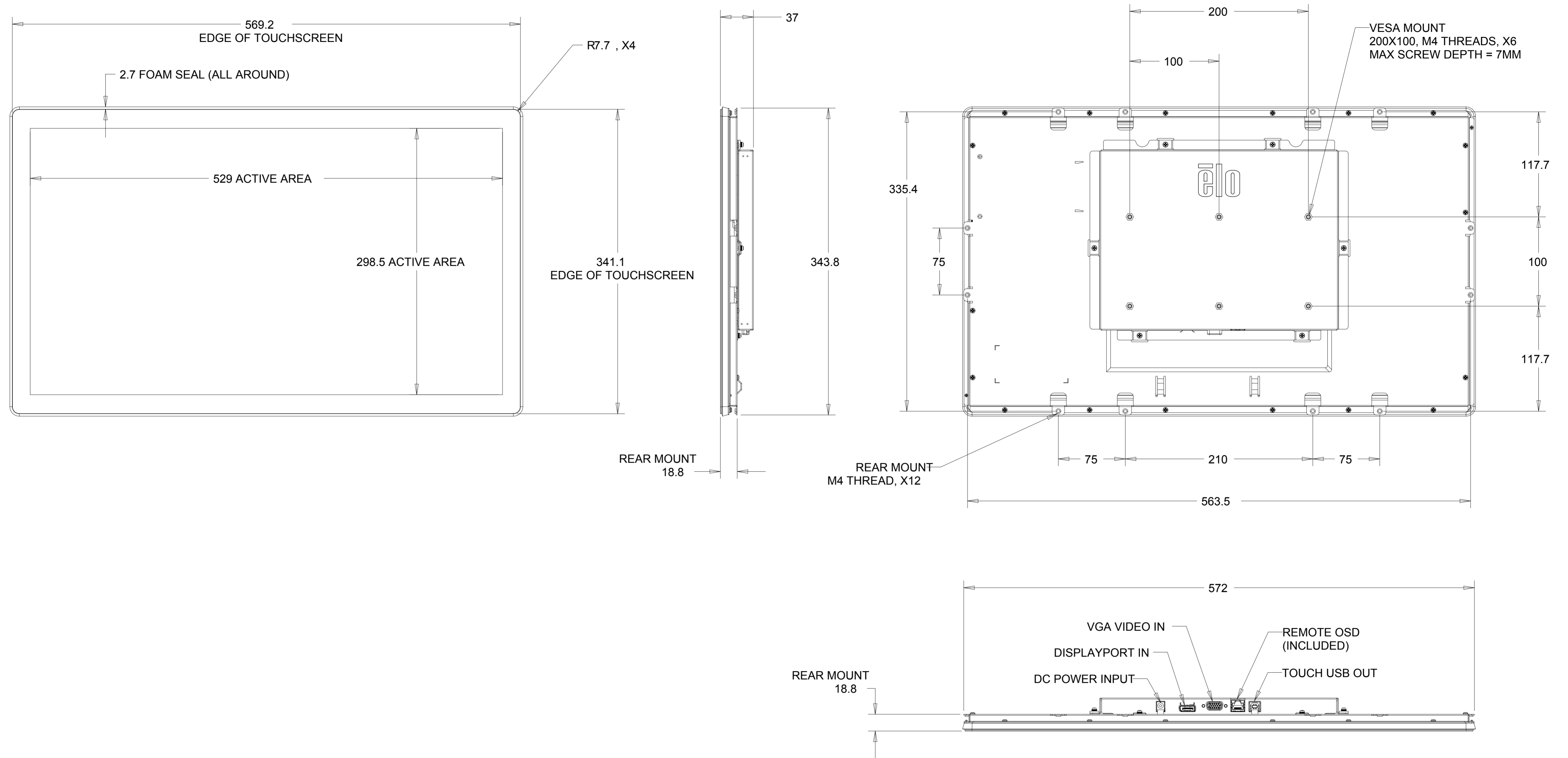
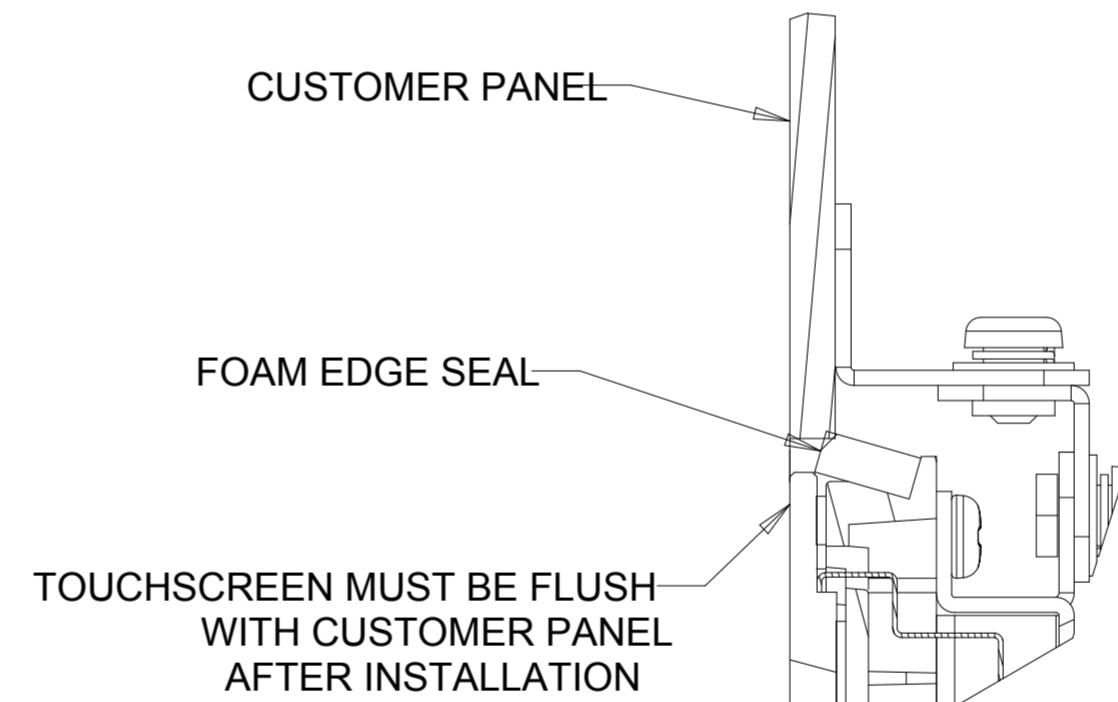
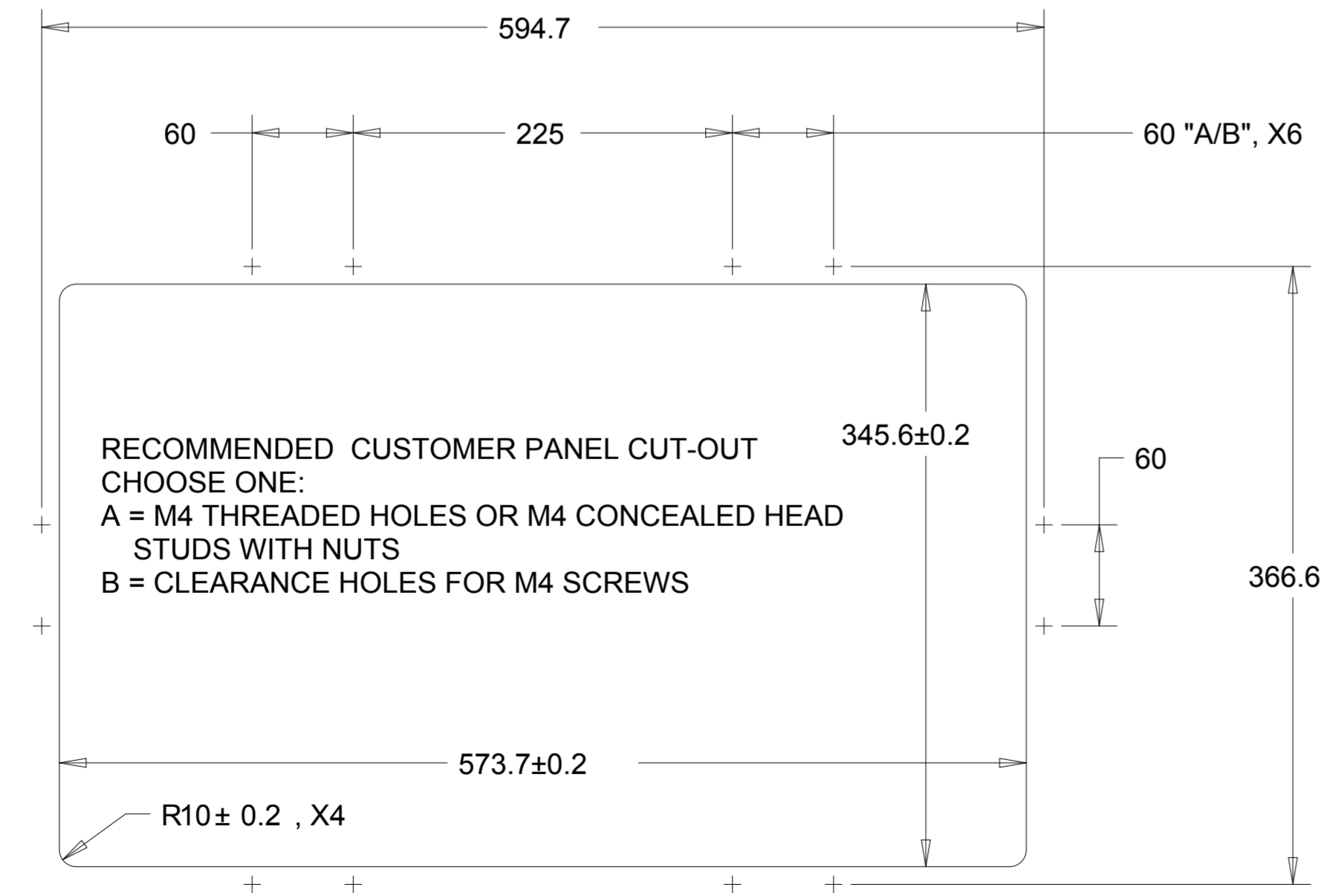
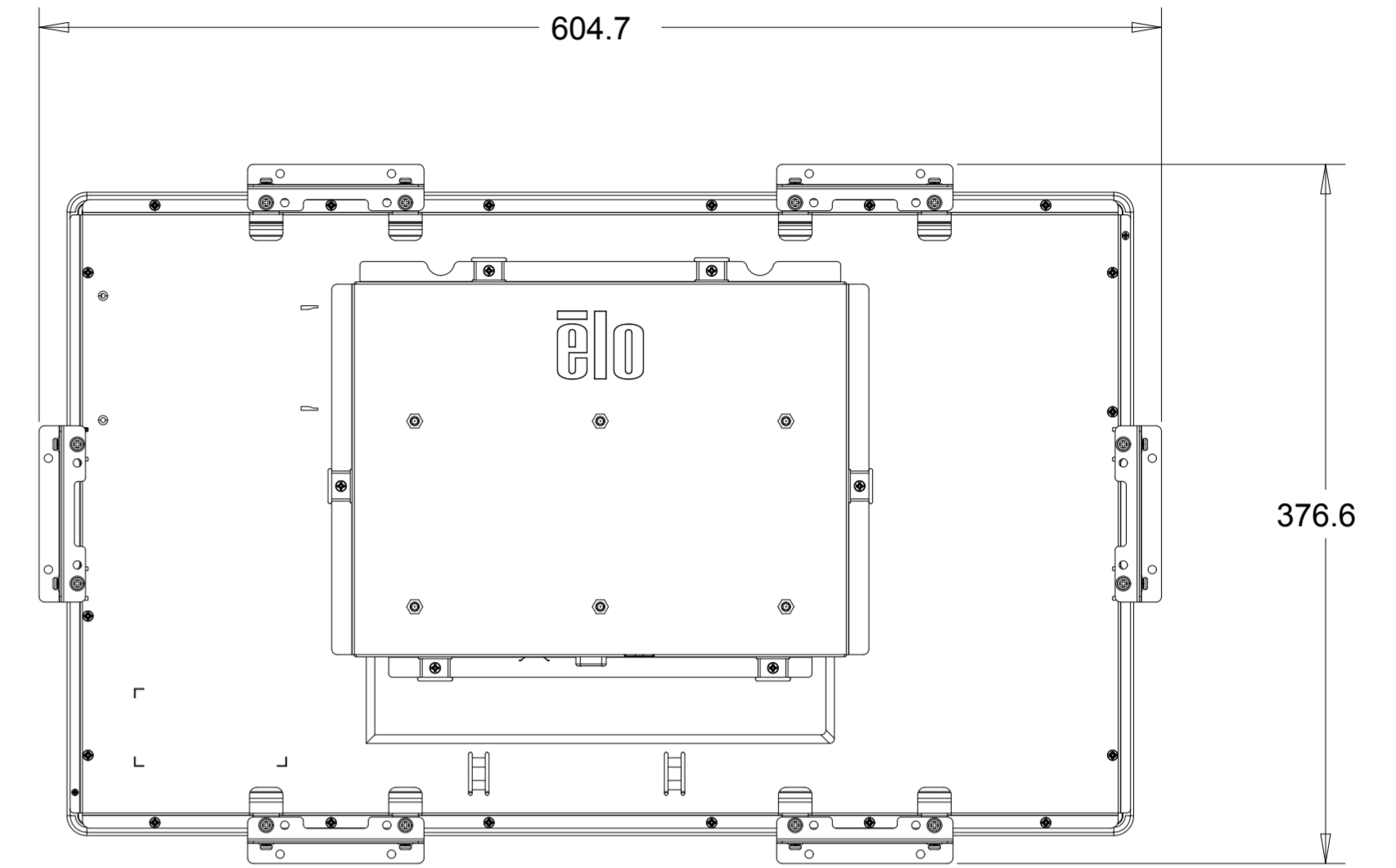
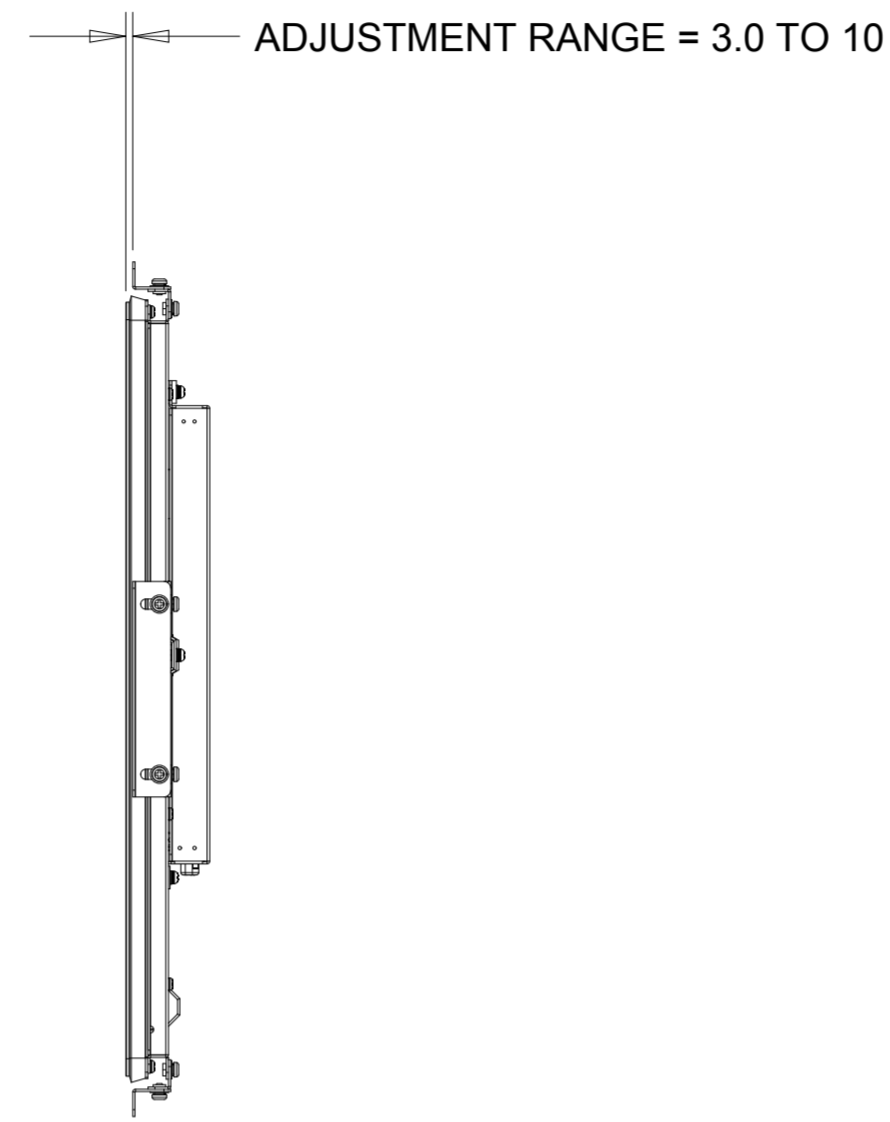
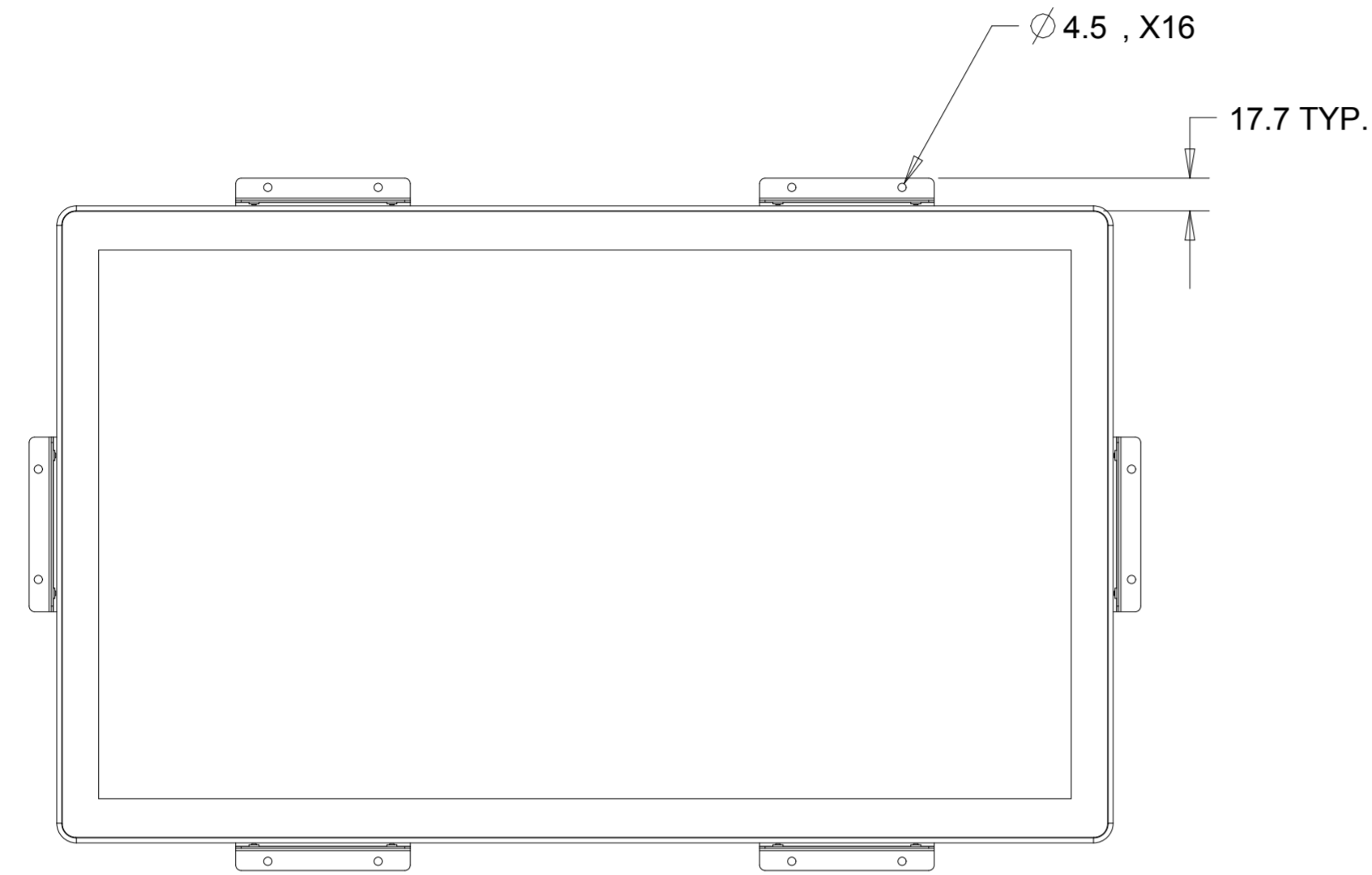


PROJECTED CAPACITIVE MODEL

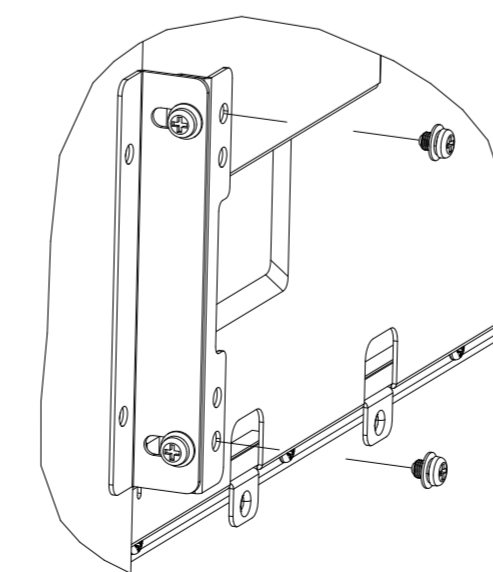


PROJECTED CAPACITIVE MODEL

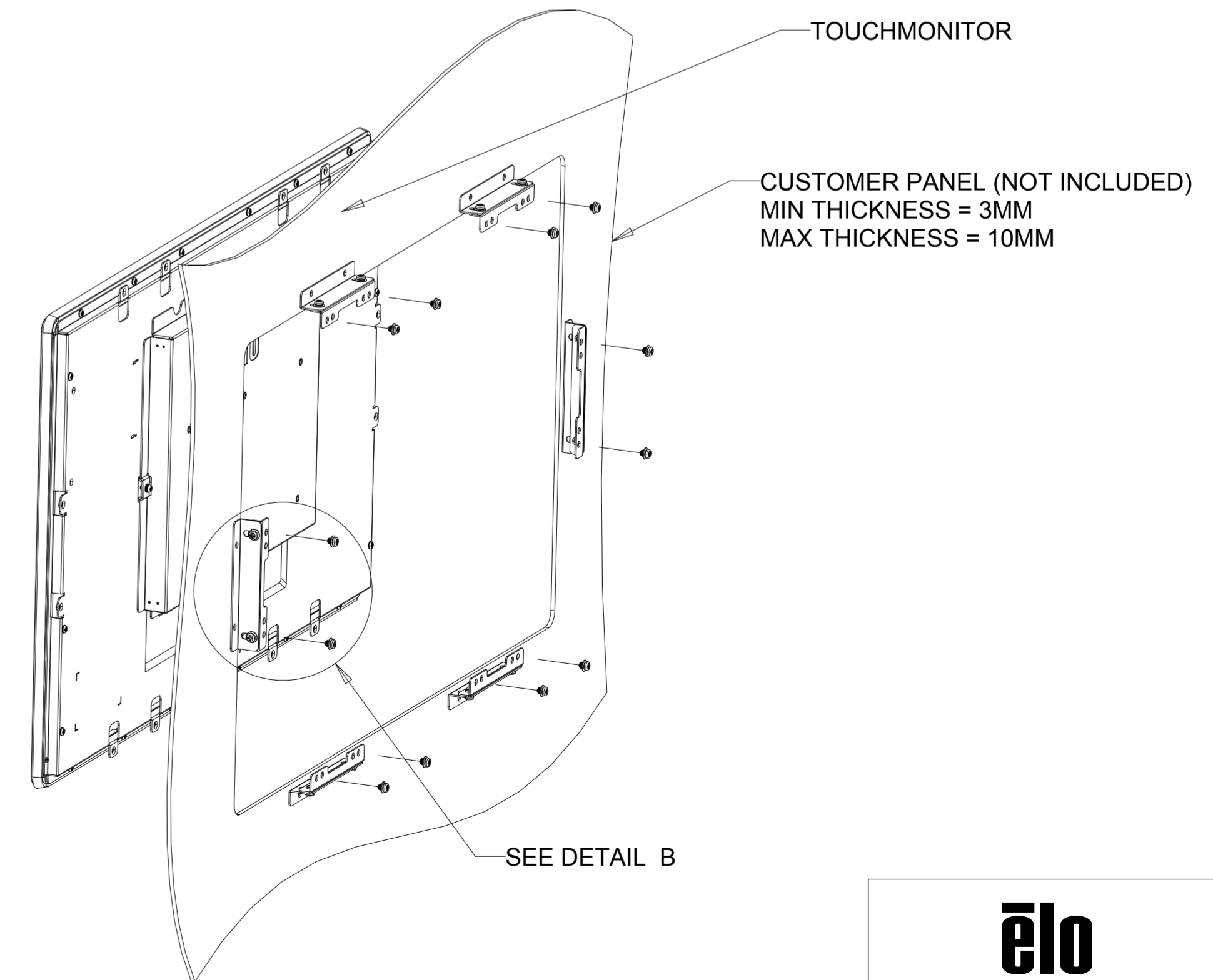
WITH FLUSH MOUNTING BRACKETS (6 SETS INCLUDED)
 REPLACEMENT BRACKET KIT P/N E000879 AVAILABLE SEPARATELY



SECTION KIOSK-KIOSK
 SCALE 2.000

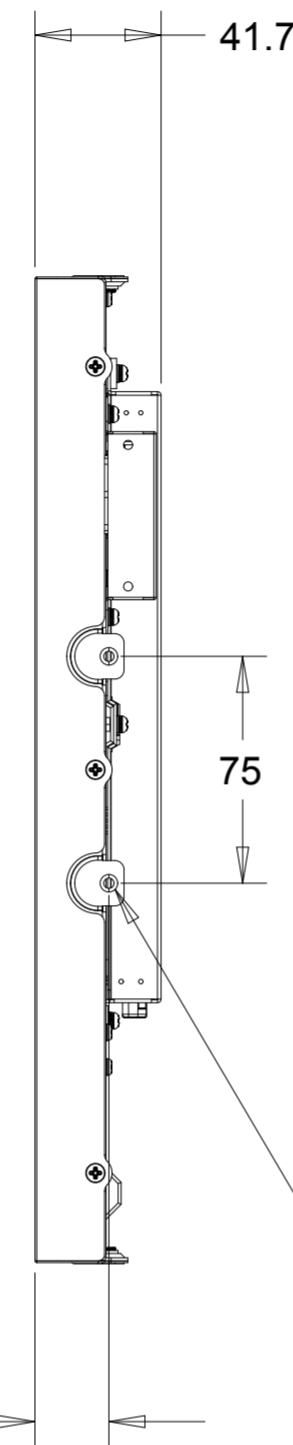
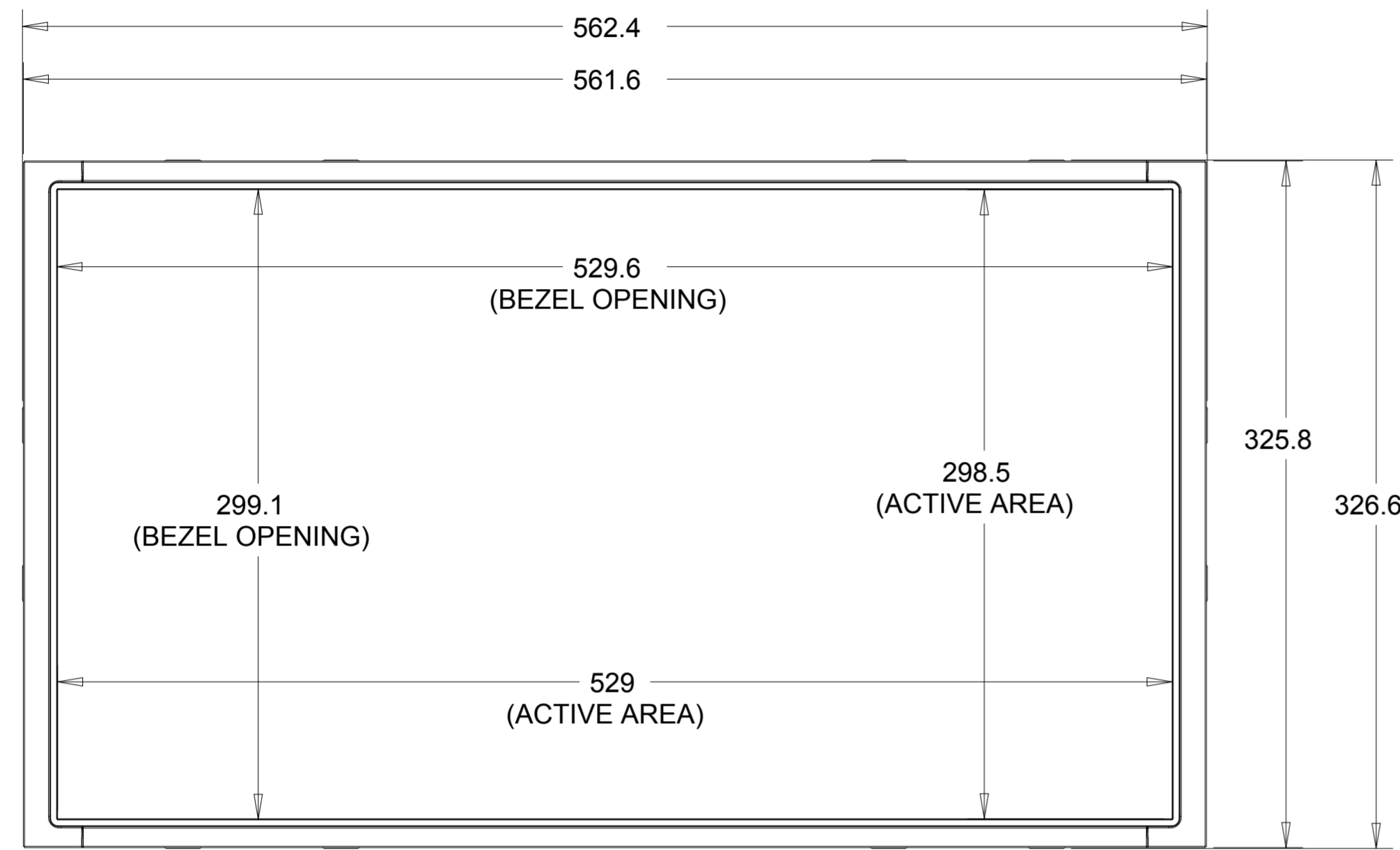


DETAIL B
 SCALE 0.600

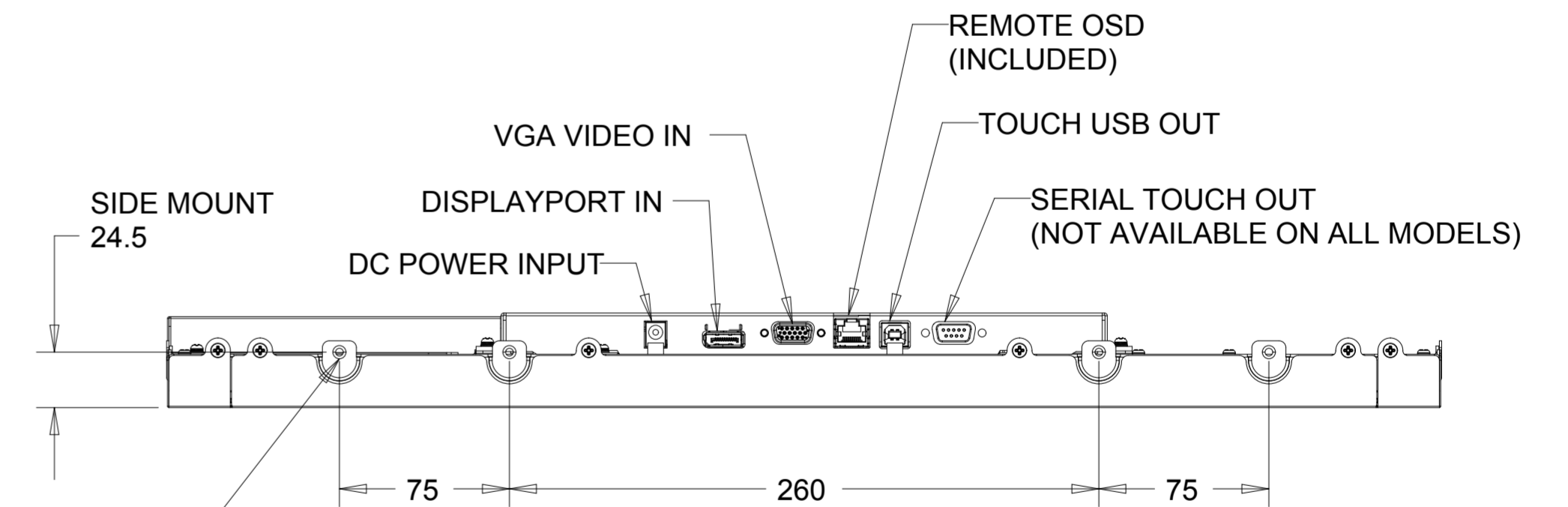
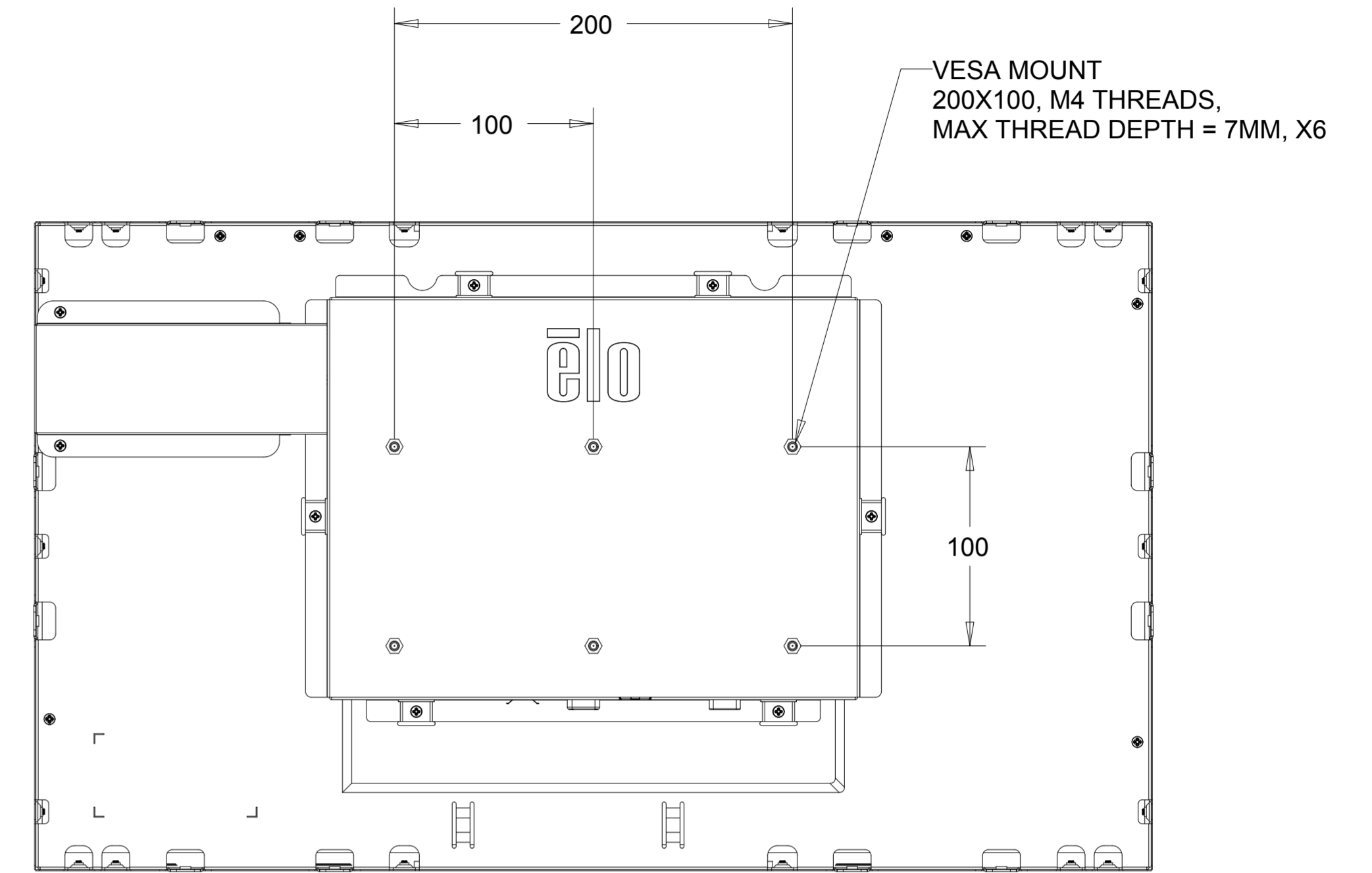


DIMENSIONS ARE IN MILLIMETERS

INTELLITOUCH, ACCUTOUCH, AND SECURETOUCH MODEL



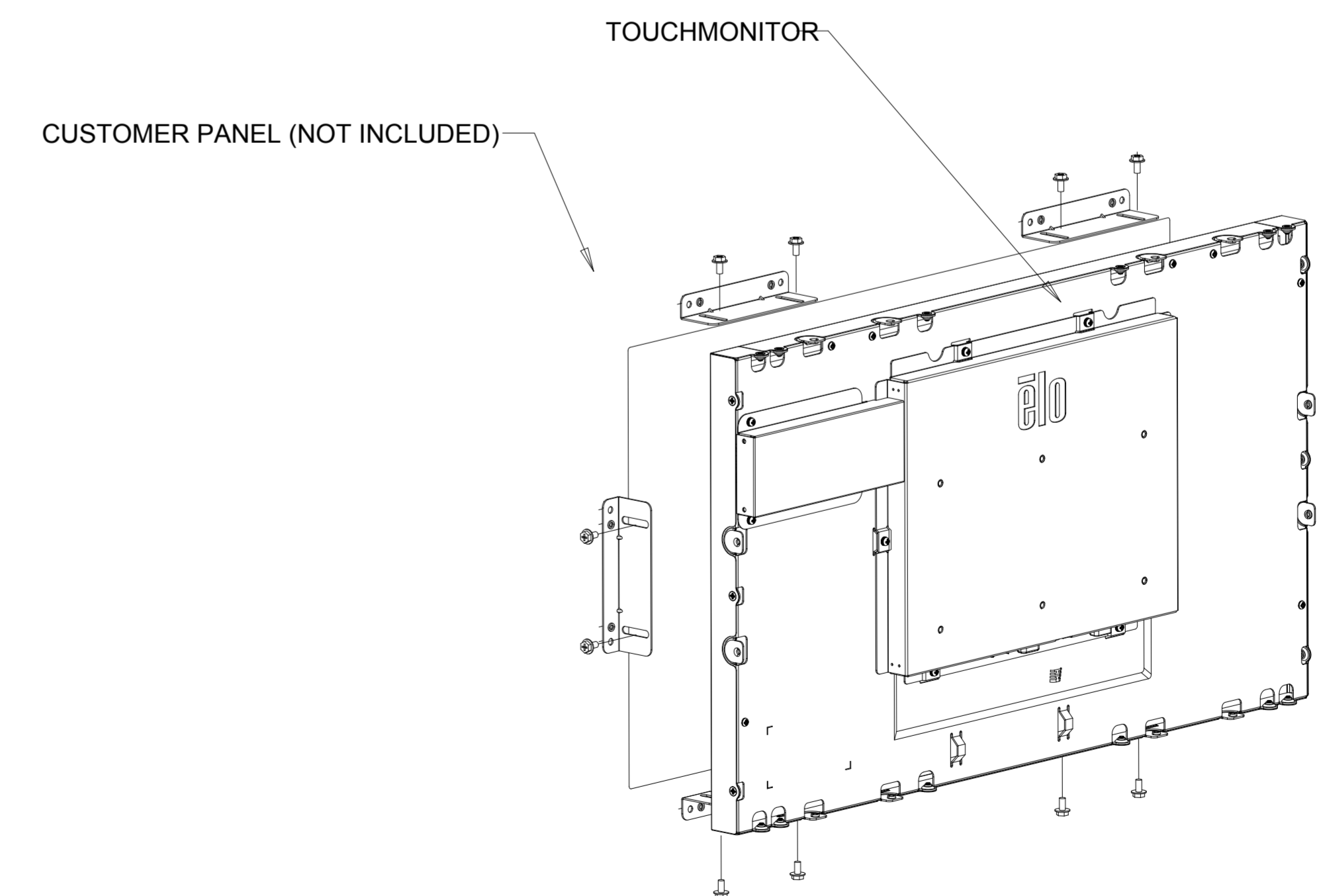
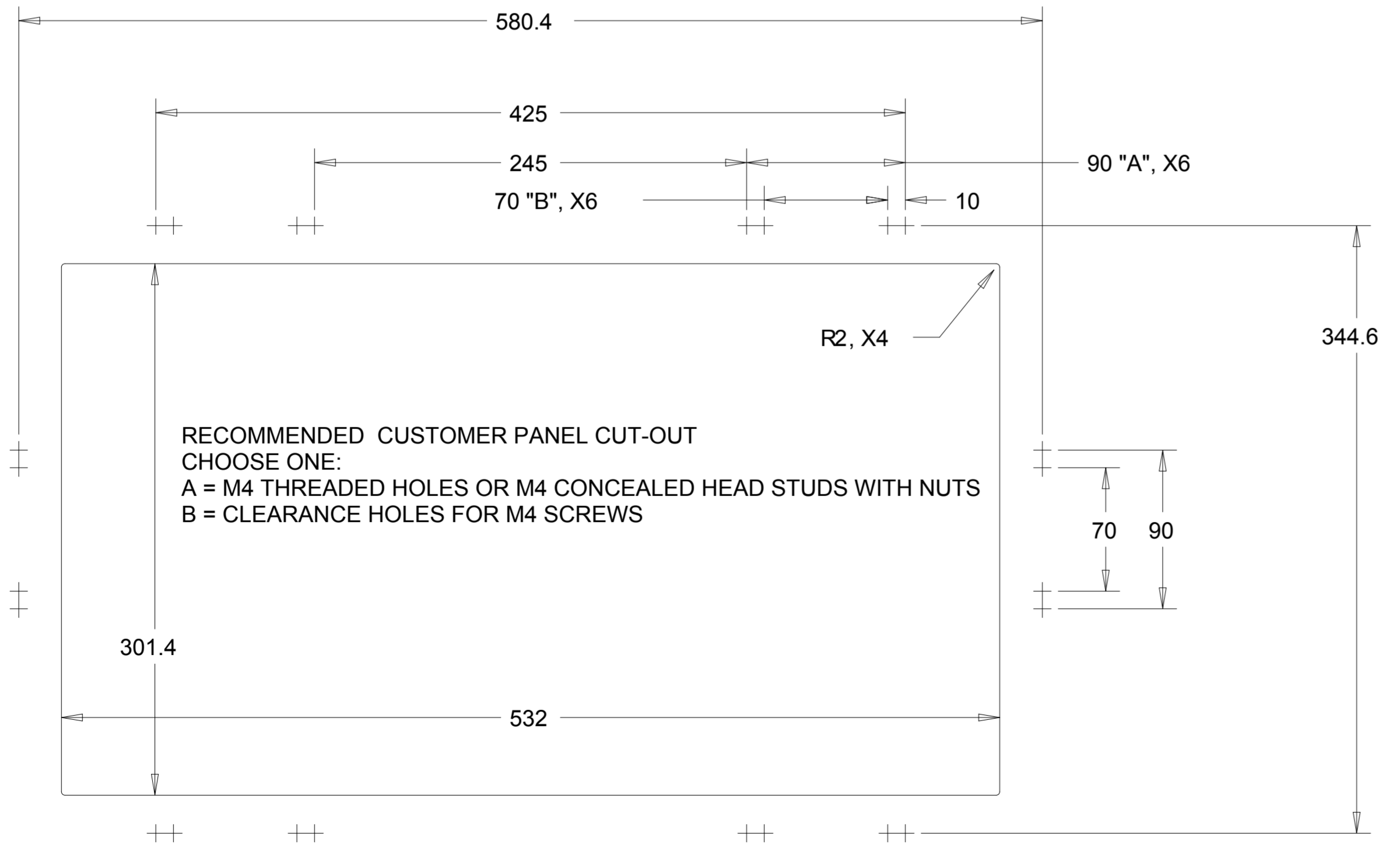
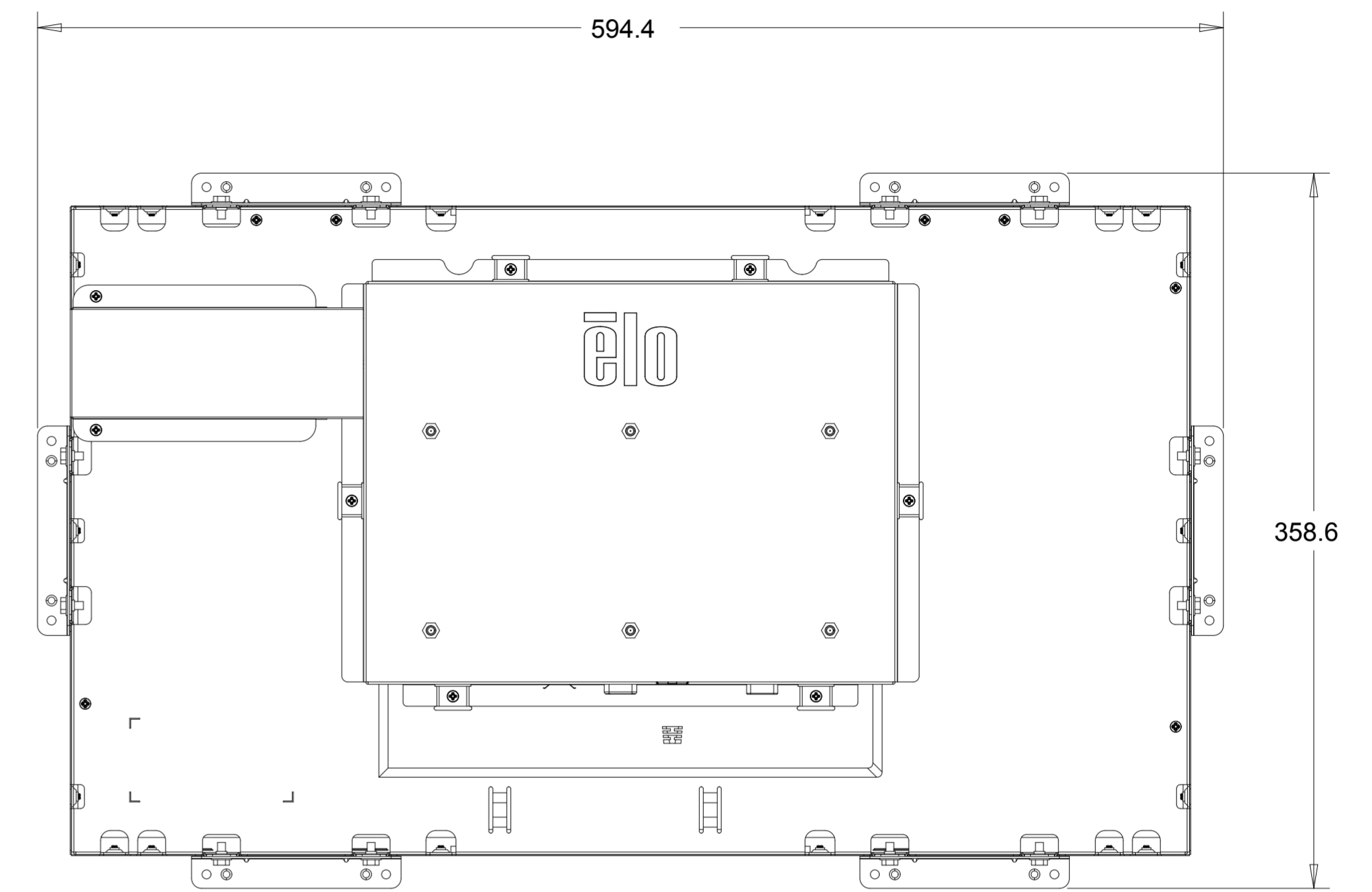
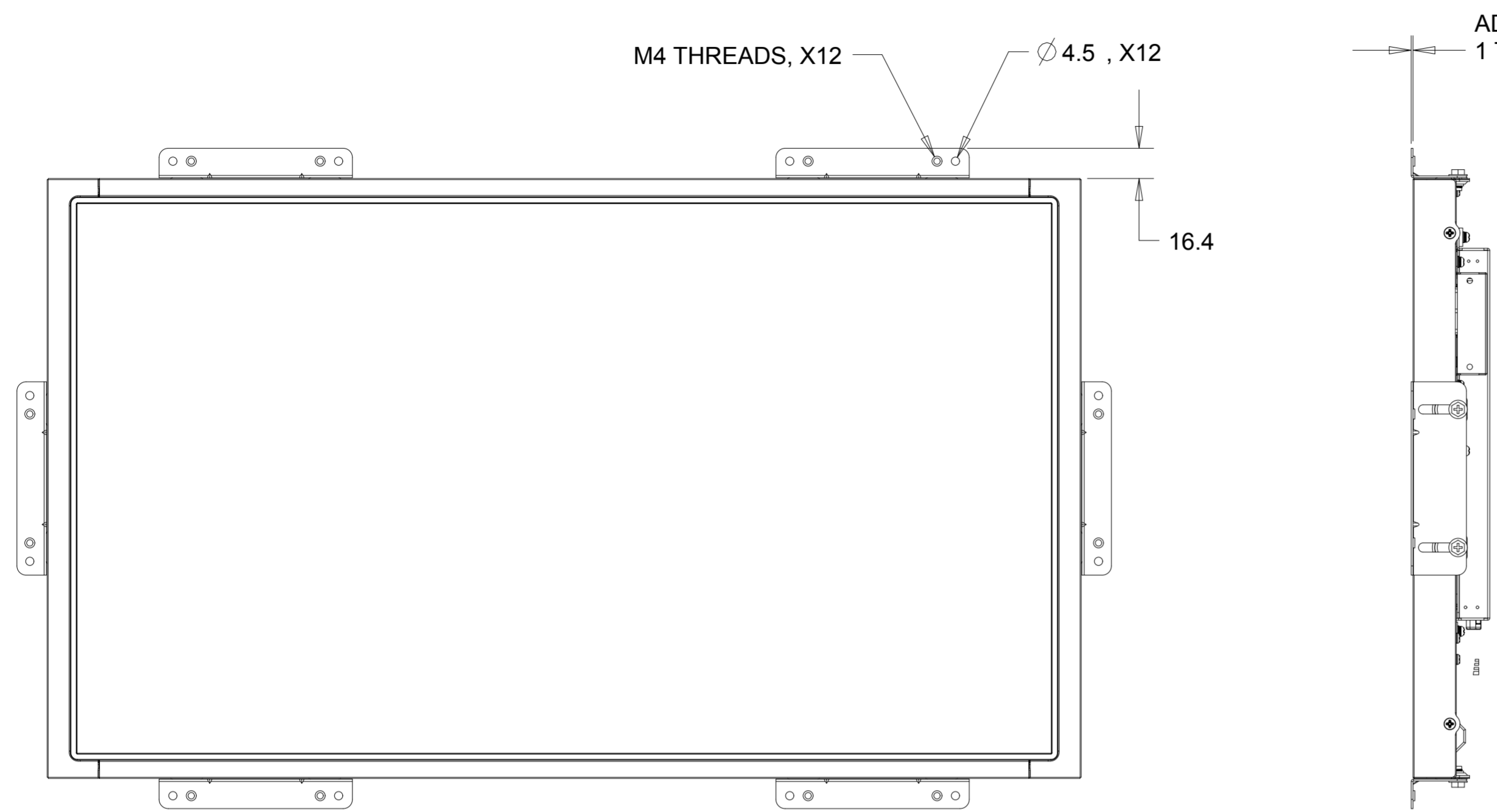
SIDE MOUNT (LEFT AND RIGHT),
M4 THREADS, MAX THREAD DEPTH = 6MM, X2



SIDE MOUNT, (TOP AND BOTTOM)
M4 THREADS, MAX THREAD DEPTH = 6MM, X4

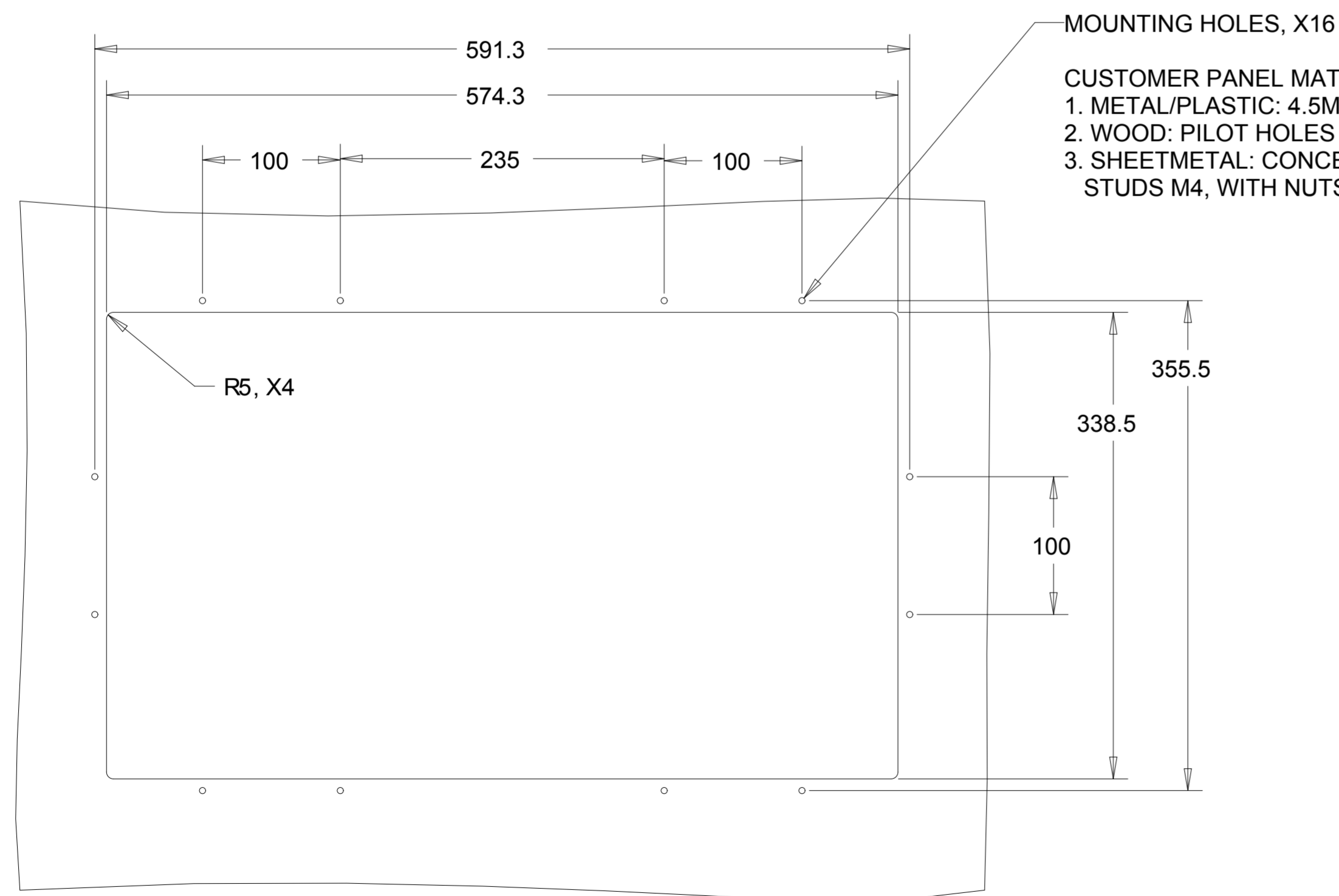
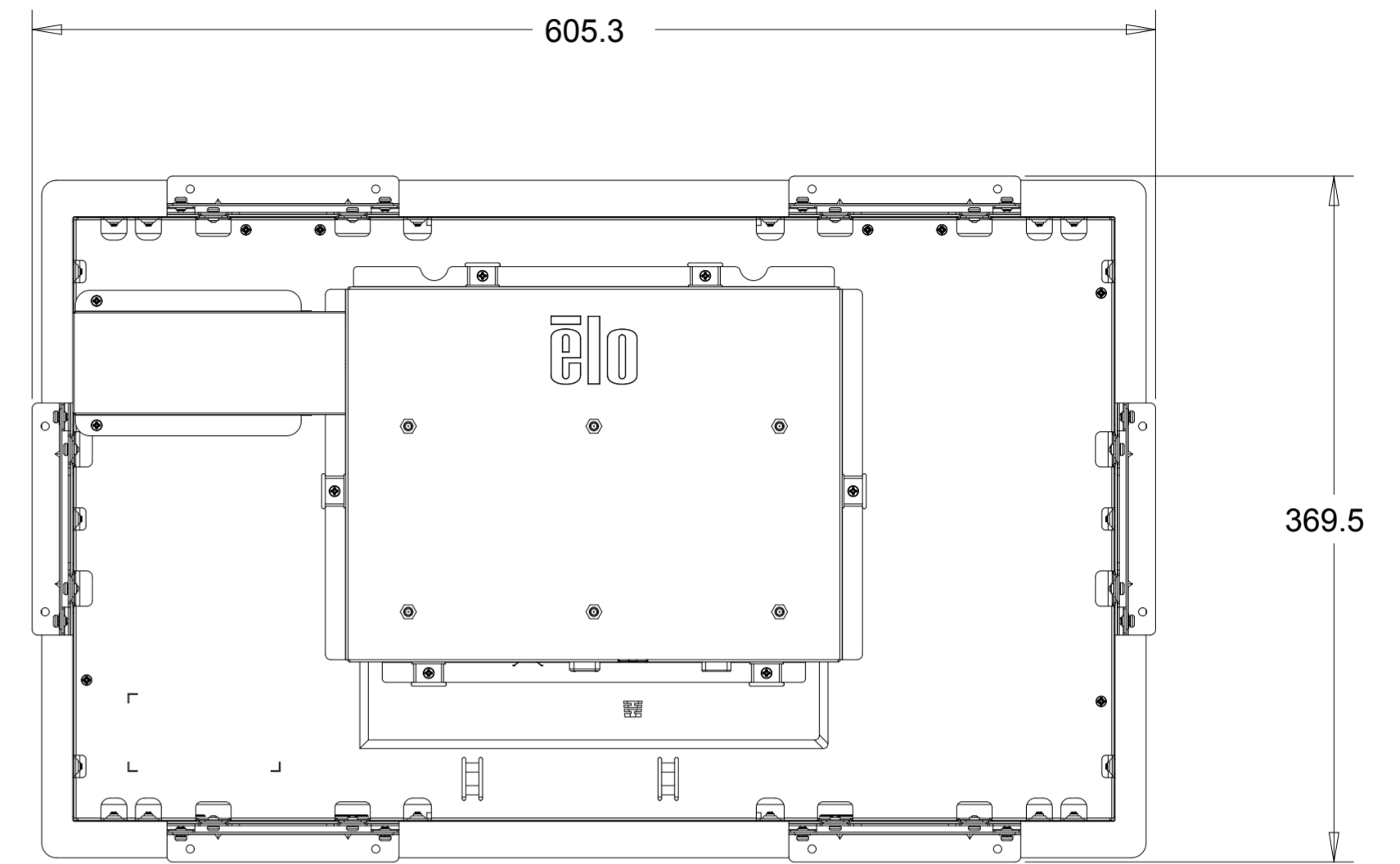
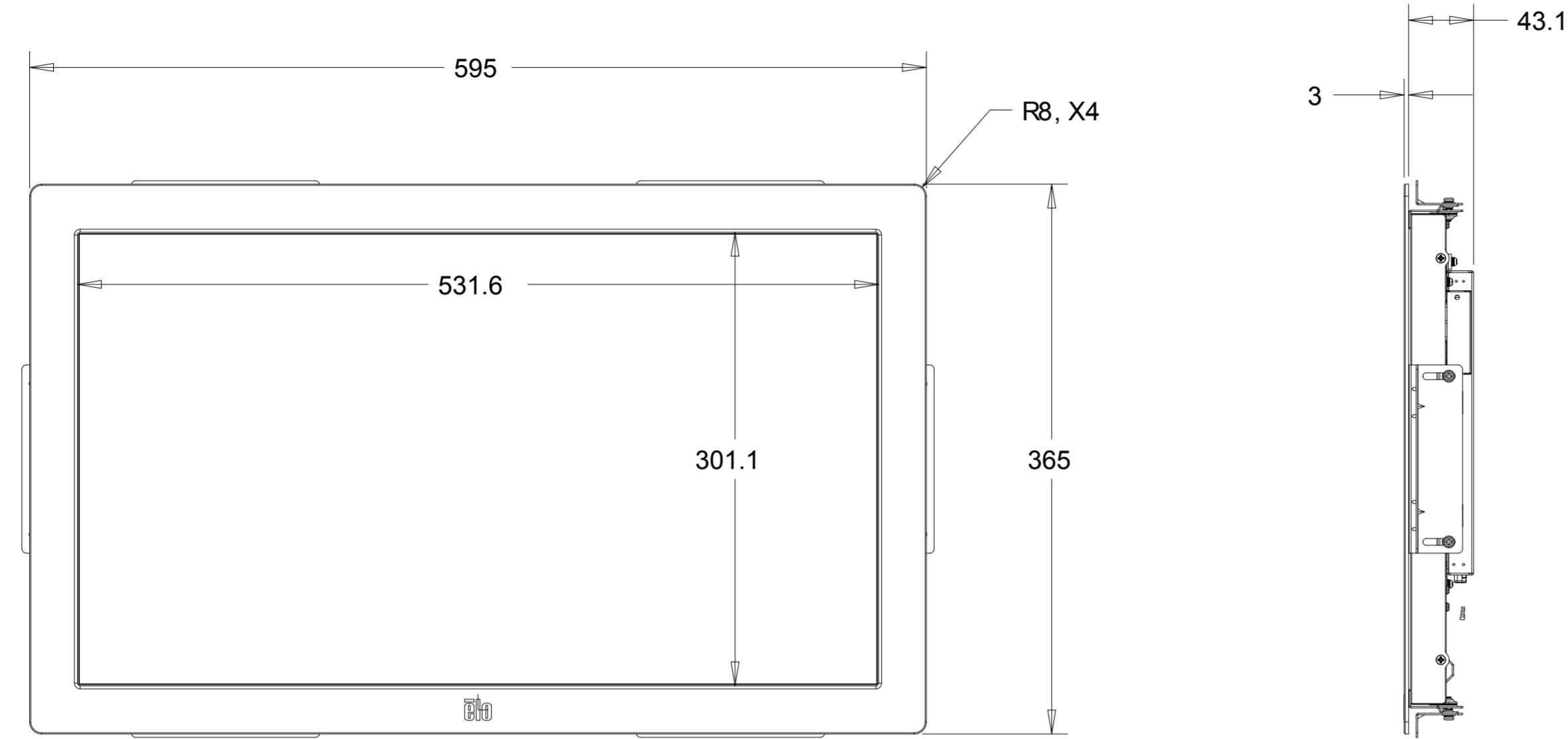
INTELLITOUCH, ACCUTOUCH, AND SECURETOUCH MODEL

WITH SIDE MOUNTING BRACKETS (6 INCLUDED)
 REPLACEMENT BRACKET KIT P/N E000878 AVAILABLE SEPARATELY



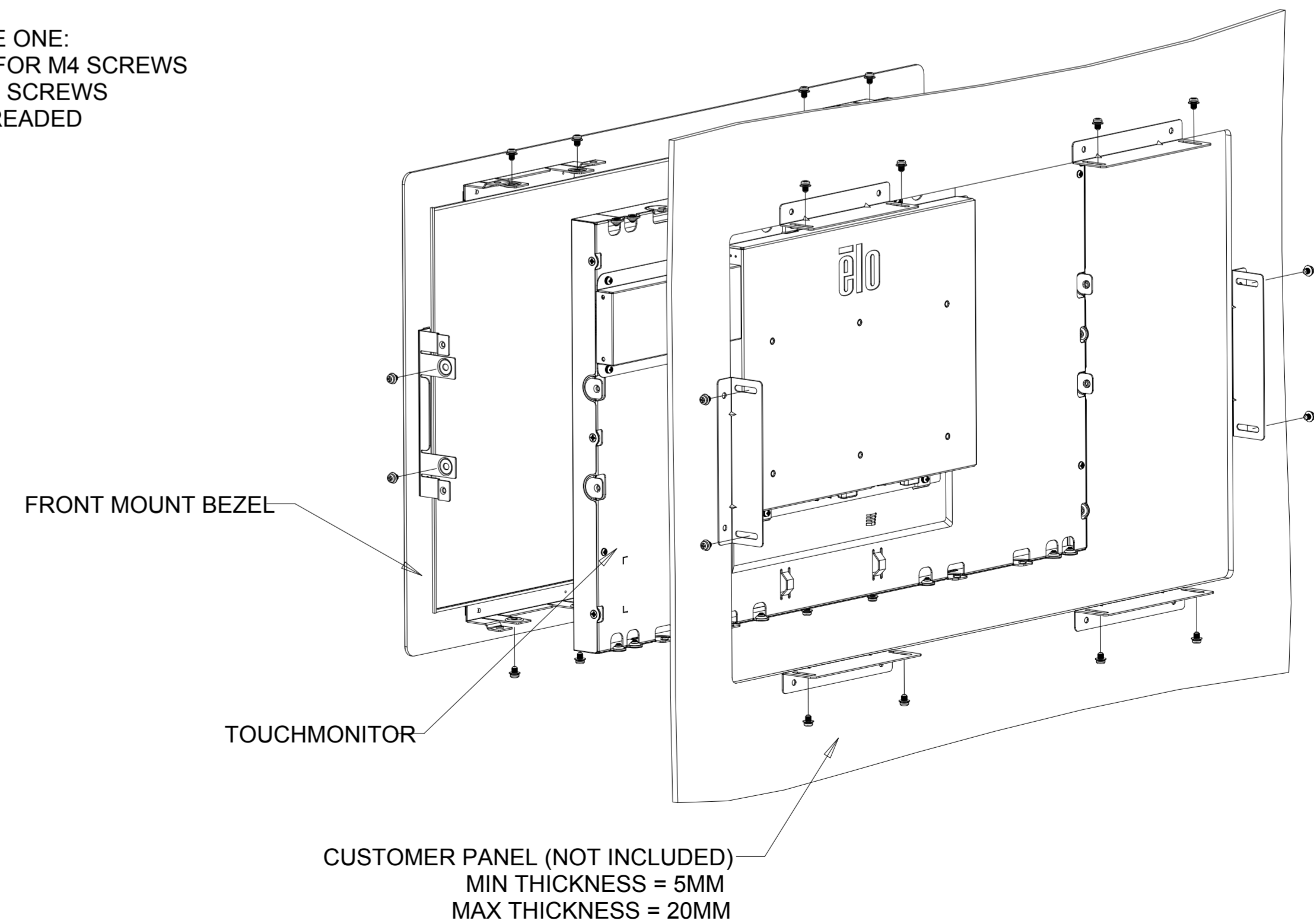
DIMENSIONS ARE IN MILLIMETERS

OPTIONAL FRONT MOUNT BEZEL KIT - P/N E000880
 FOR INTELLITOUCH, ACCUTOUCH, AND SECURETOUCH MODEL ONLY
 ORDERED SEPARATELY, CUSTOMER ASSEMBLED

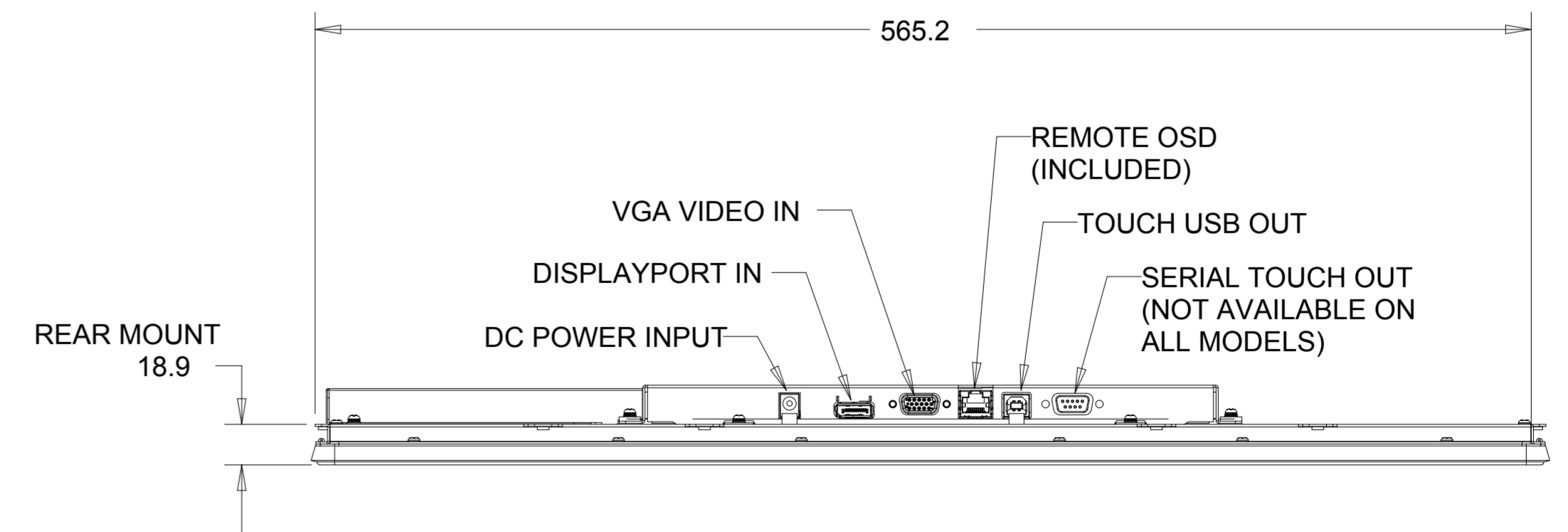
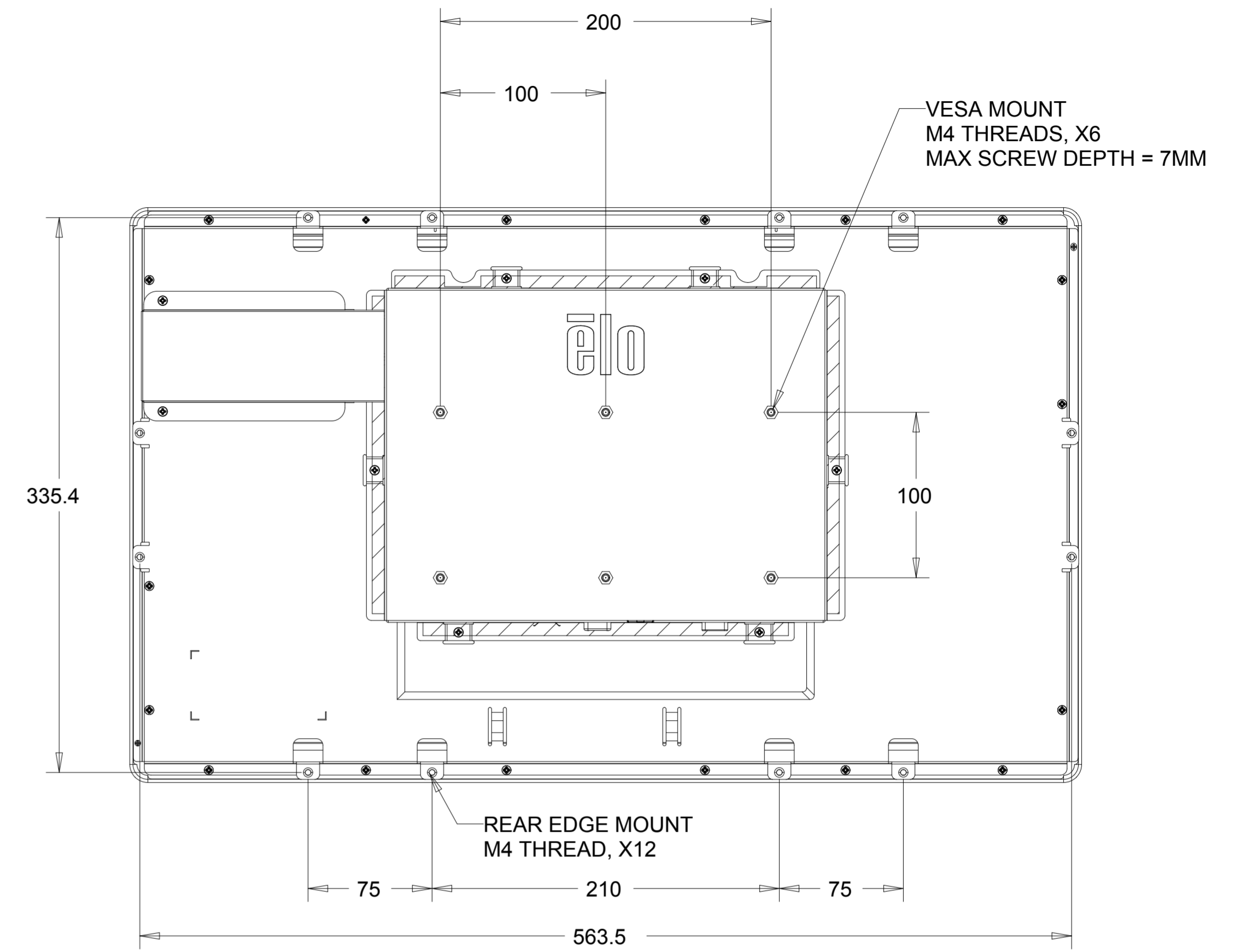
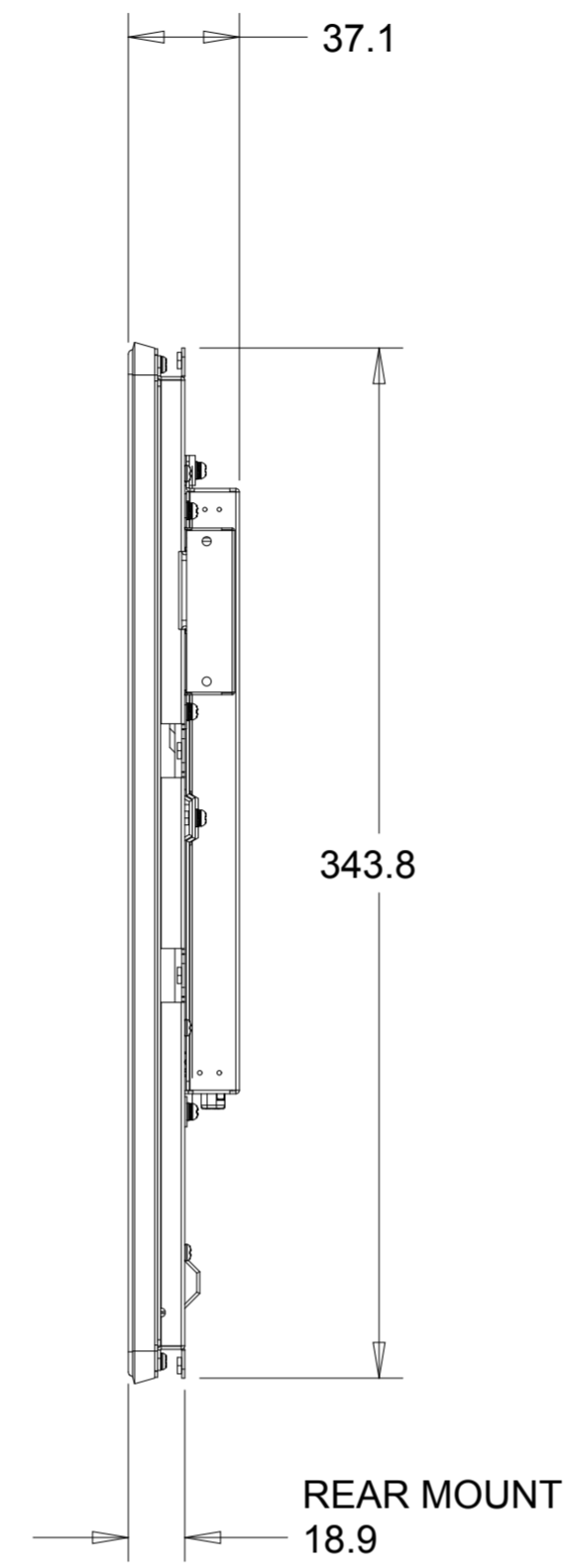
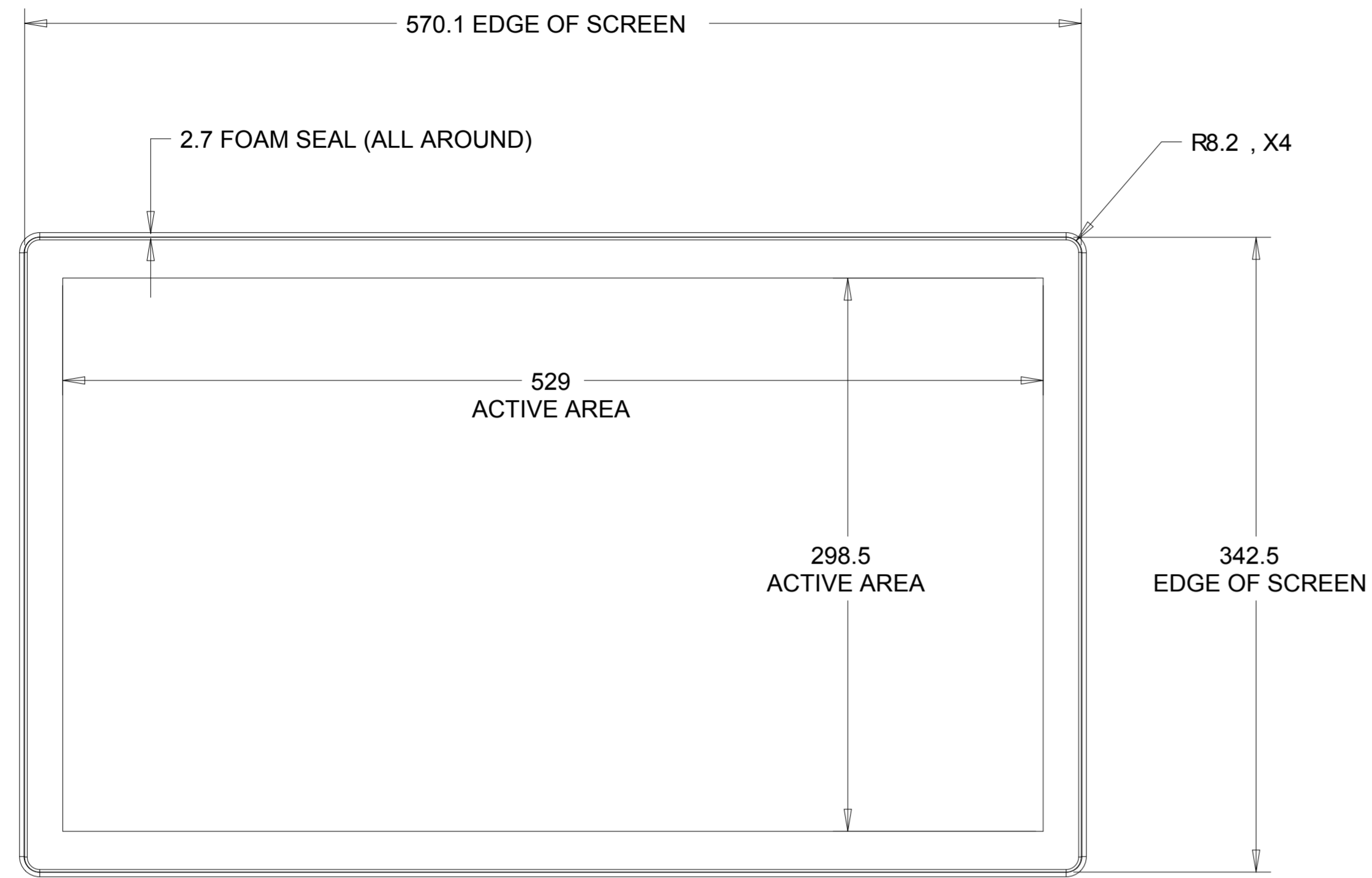


MOUNTING HOLES, X16

- CUSTOMER PANEL MATERIALS, CHOOSE ONE:
1. METAL/PLASTIC: 4.5MM THRU HOLES FOR M4 SCREWS
 2. WOOD: PILOT HOLES FOR 4MM WOOD SCREWS
 3. SHEETMETAL: CONCEALED HEAD THREADED STUDS M4, WITH NUTS

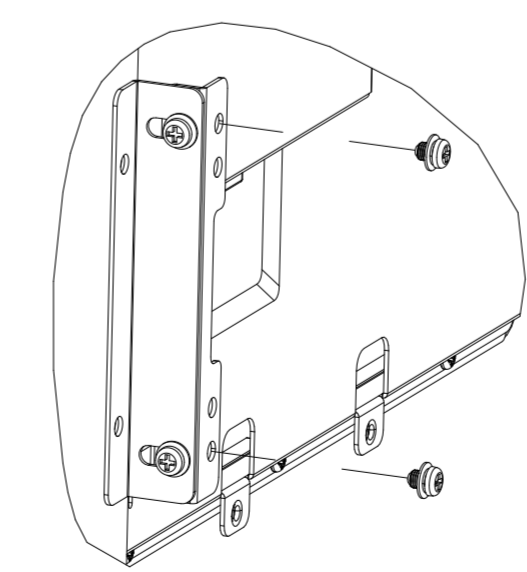
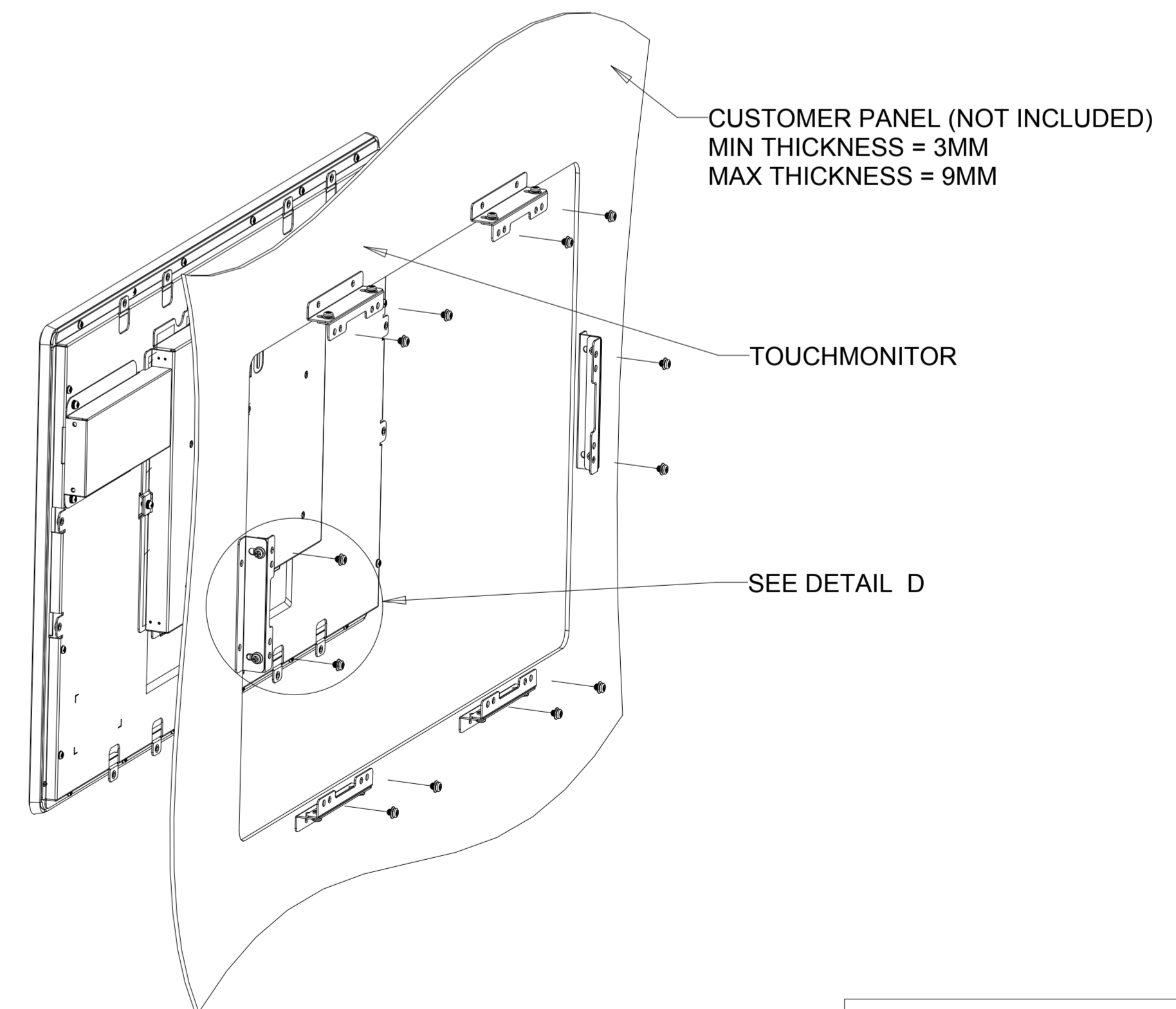
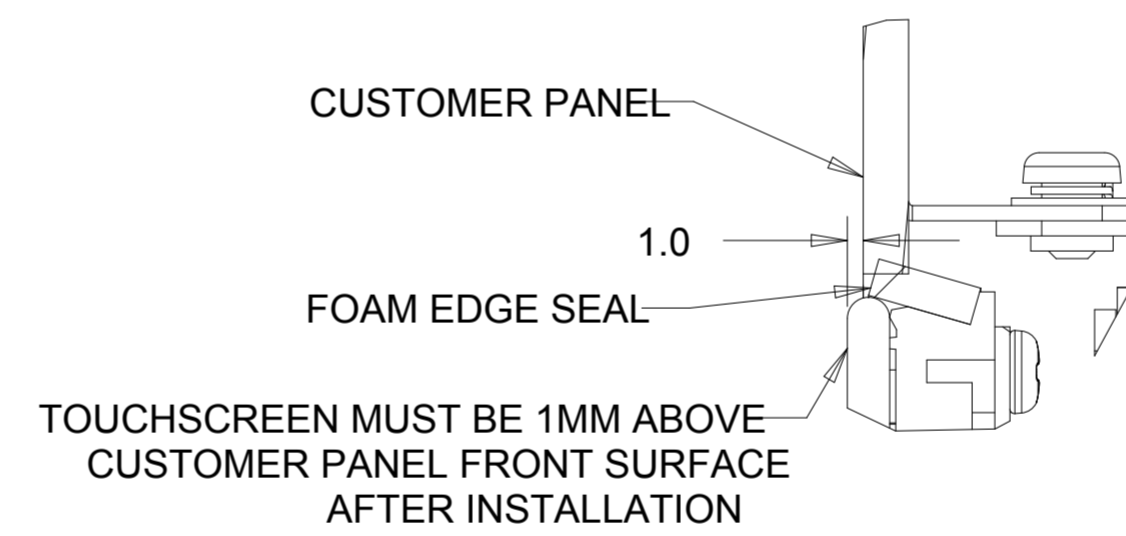
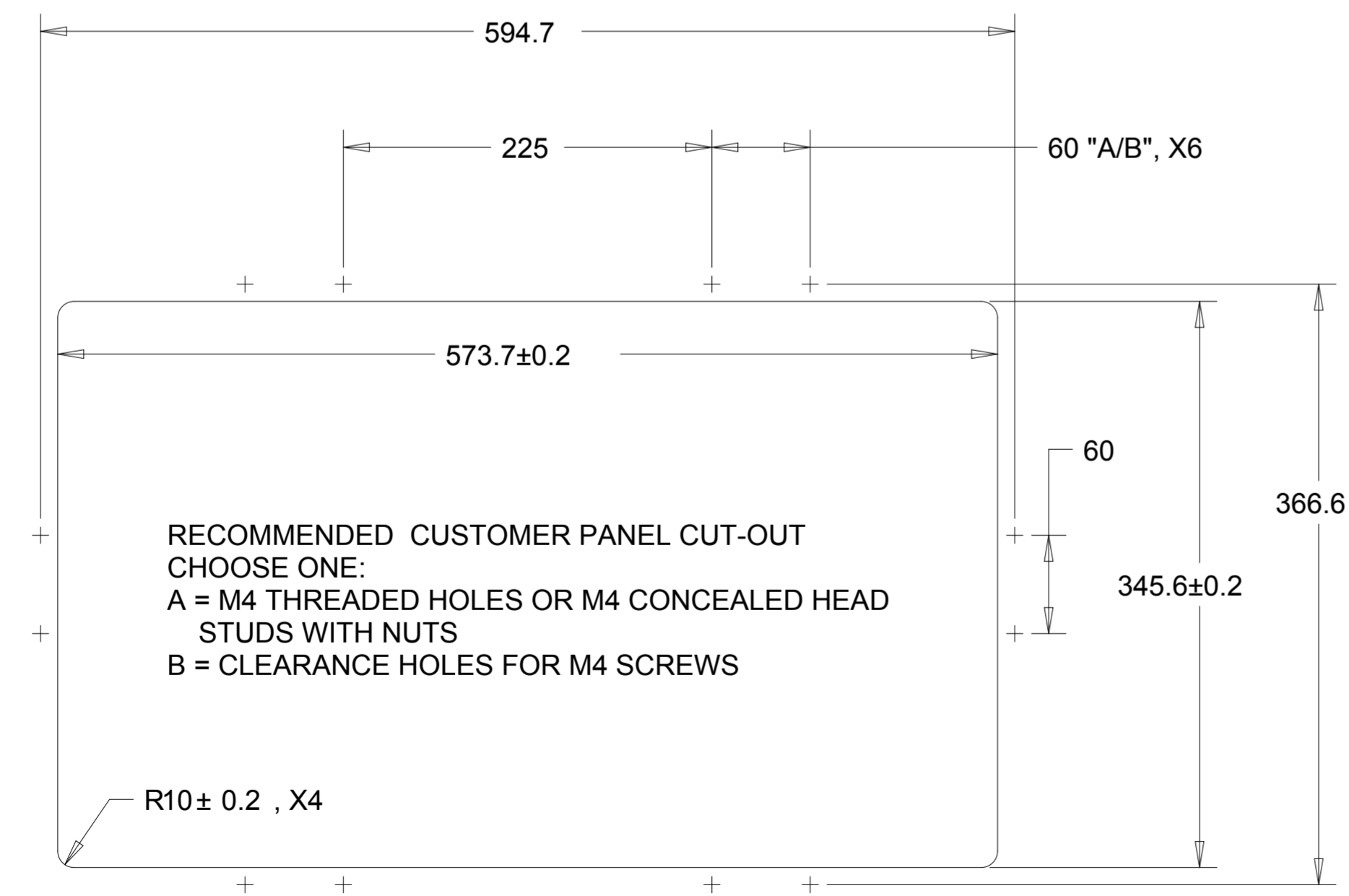
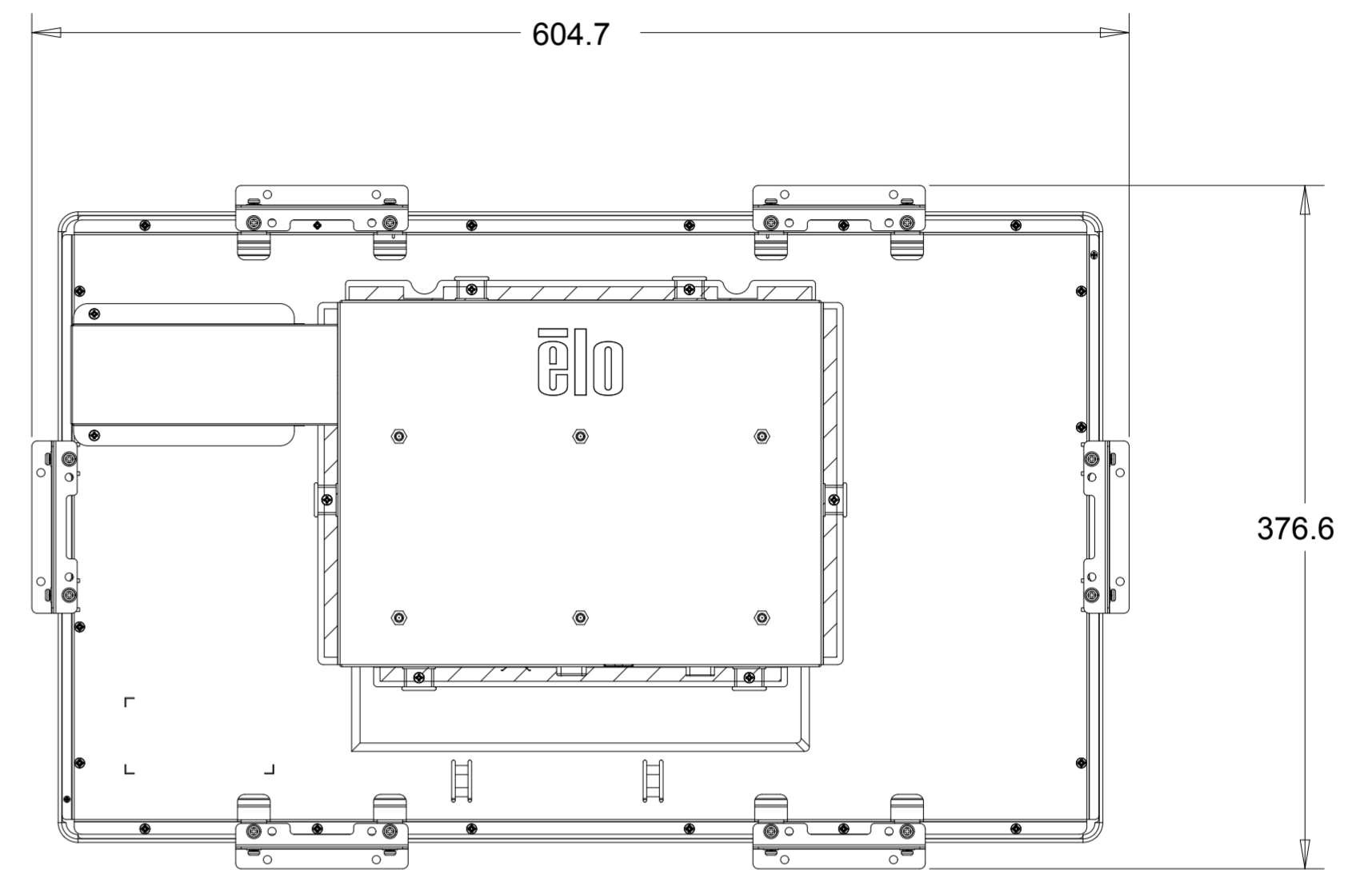
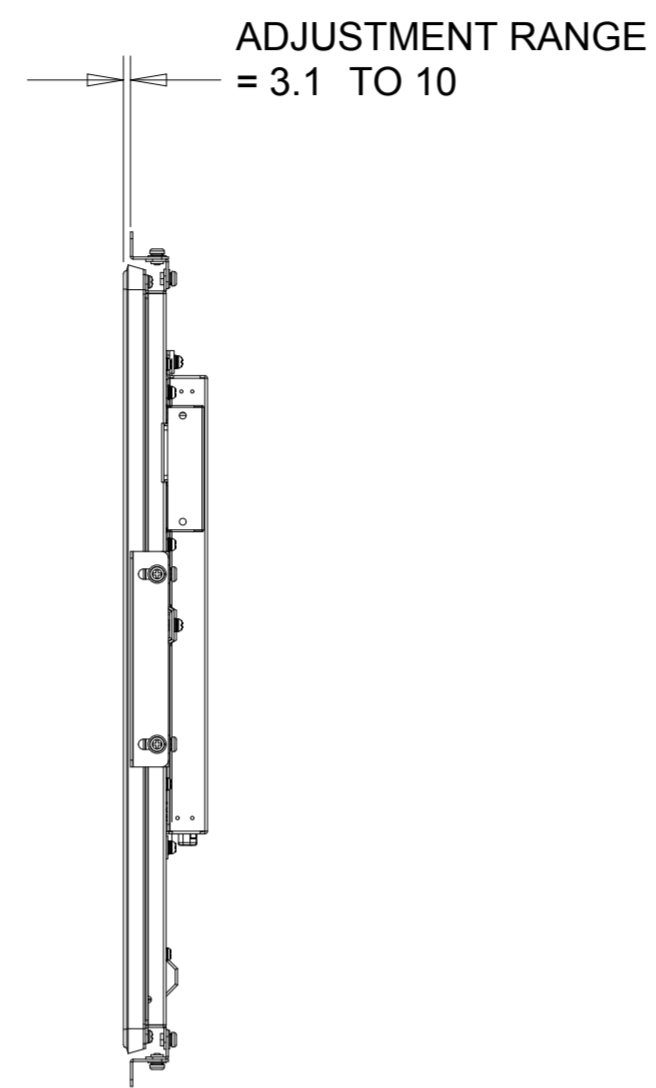
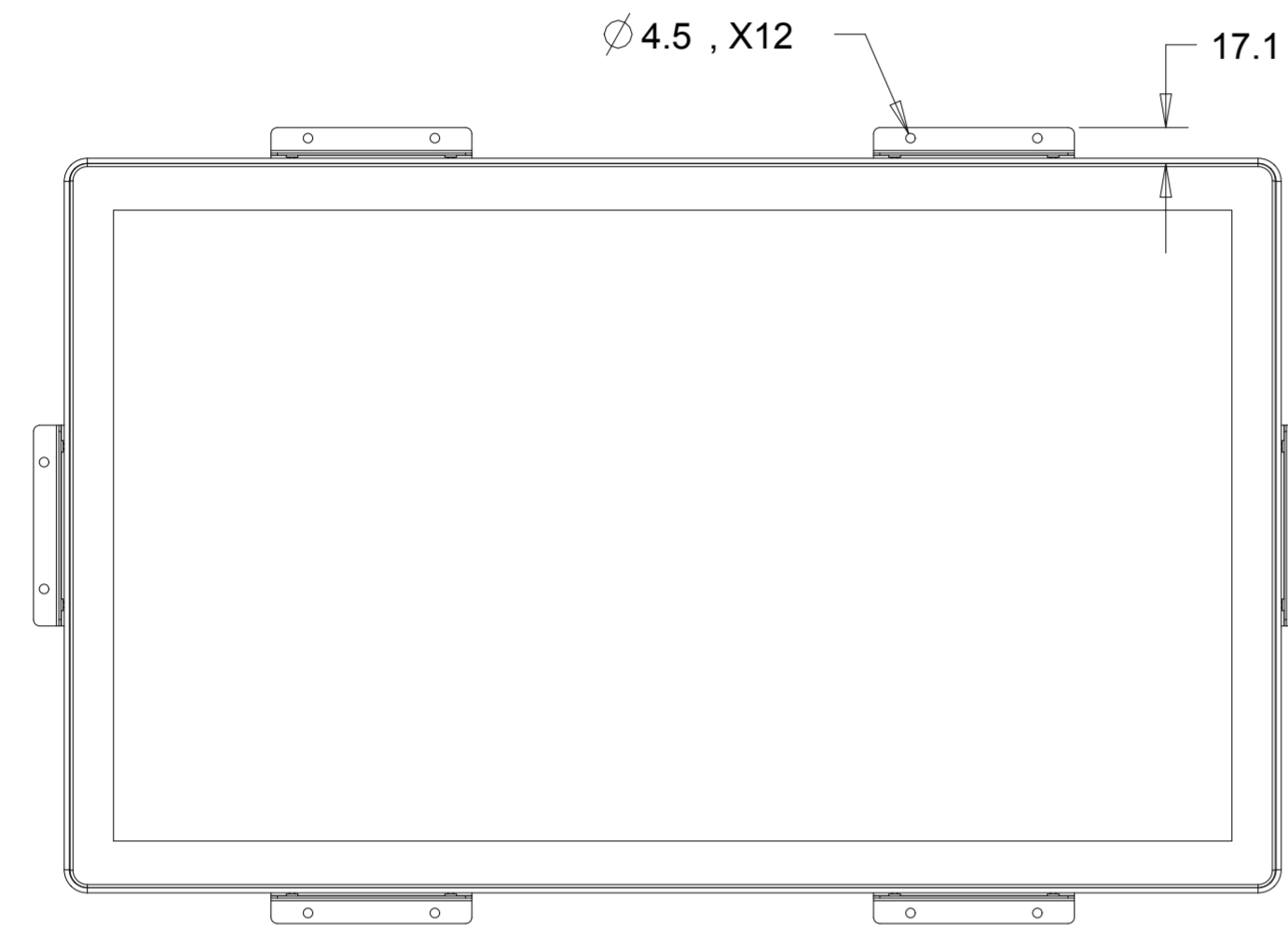


ZERO-BEZEL INTELLITOUCH MODEL



ZERO-BEZEL INTELLITOUCH MODEL

WITH FLUSH MOUNTING BRACKETS (6 SETS INCLUDED)
 REPLACEMENT BRACKET KIT P/N E000879 AVAILABLE SEPARATELY



DETAIL D
 SCALE 0.600